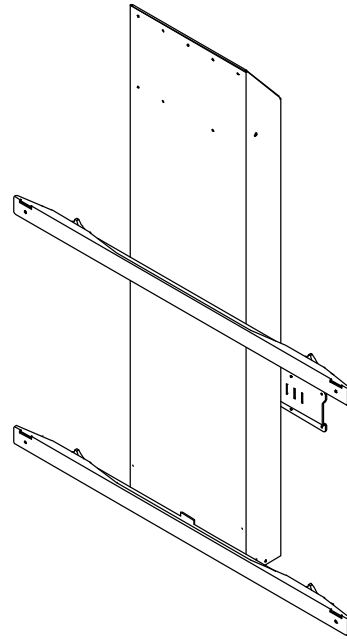




SMART[®]



Service Parts Diagrams

**For Model:
HAWM-UX/UF**

Service Parts Diagrams Revision History

Revision 1 - October, 2010

- New document

Revision 2 - January, 2011

- Change 20-01346-20 graphic

Revision 3 - June, 2011

- Add AK-00112-20

Revision 4 - June, 2015

- Add 1025658

Standard Warranty Terms

Base product: Two-year limited equipment warranty

First Customer Ship: August, 2010

SMART Technologies

3636 Research Road NW

Calgary, AB T2L 1Y1

CANADA

Support +1.403.228.5940 or Toll Free 1.866.518.6791 (Canada/U.S.)

Support Fax +1.403.806.1256

www.smarttech.com/contactserviceparts www.smarttech.com

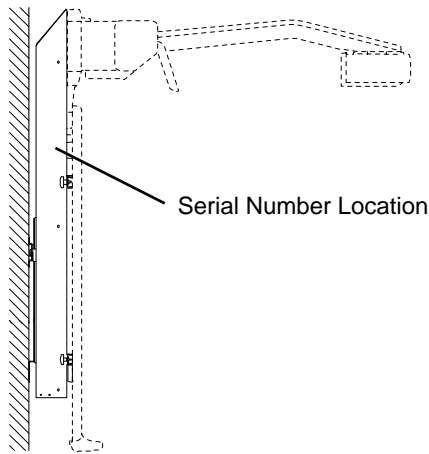
The SMART logo consists of the word "SMART" in a bold, black, sans-serif font. The letters are slightly stylized, with the 'S' and 'M' having a more rounded appearance. A registered trademark symbol (®) is located at the bottom right of the 'T'.

Service Parts Diagrams for the HAWM-UX/UF

Identifying Your Product Using the Serial Number 1
Ordering Parts 1
HAWM-UX/UF Parts 2

Identifying Your Product Using the Serial Number

To make sure that you have the correct service parts diagrams, you must verify the serial number of your HAWM-UX/UF. The serial number is located on the right hand side of the pillar. An example of the serial number format is shown below.



G012C204A0168

Unique Serial Number

Ordering Parts

Customers

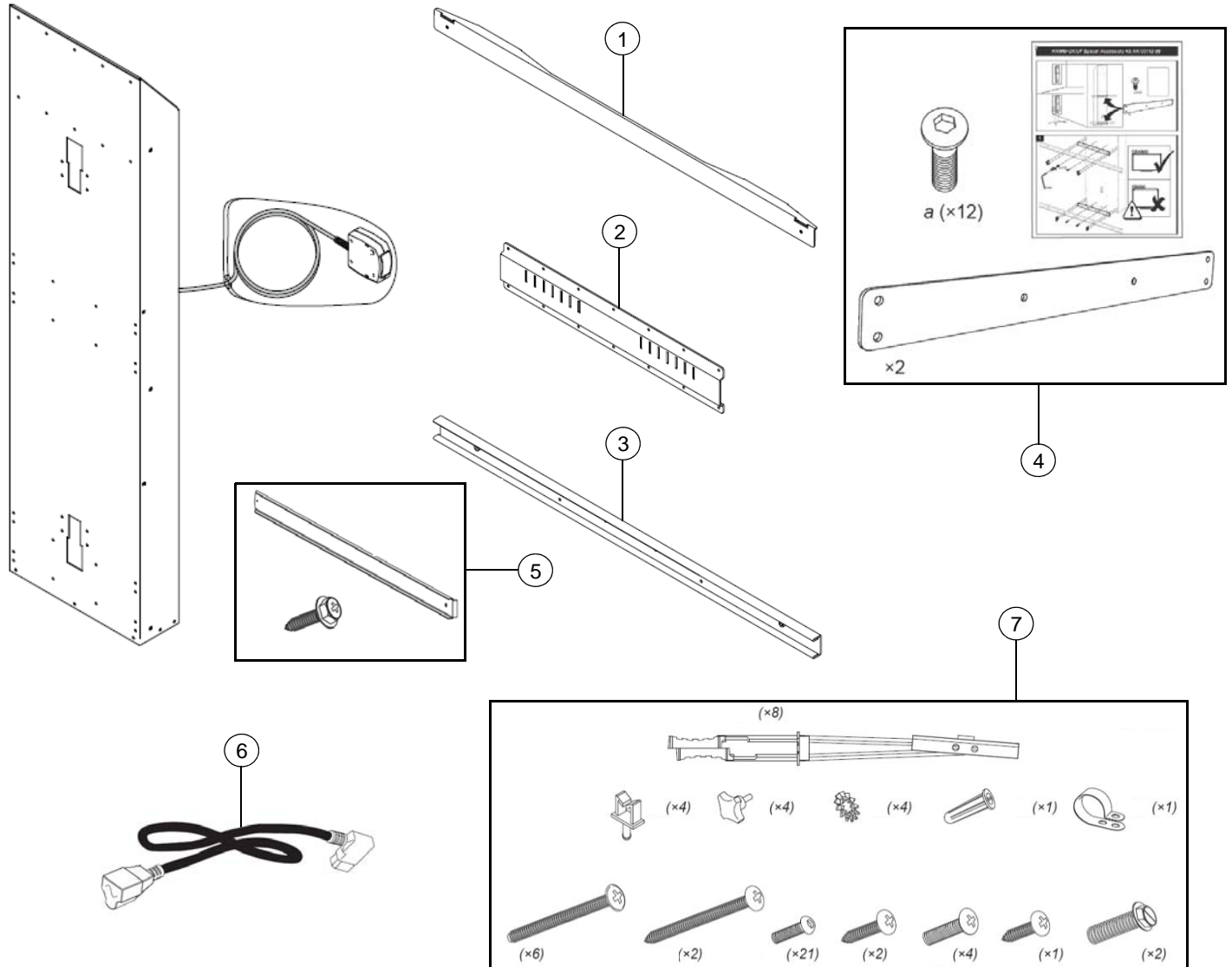
To order any of the parts in these service parts diagrams, contact your local reseller. To find a reseller near you, visit www.smarttech.com/where.

Dealers and Distributors

For specific technical and pricing enquiries in regards to these diagrams please contact our service parts department. Pricing is also available on-line via the SOURCE website (source.smarttech.com).

Web Form: www.smarttech.com/contactserviceparts
Phone: 1.888.42.SMART
International: +1.403.245.0333

HAWM-UX/UF Parts



Item	Part No.	Qty	Description
1	51-00831-20	2	Bracket, mounting, board
2	51-00829-21	1	Bracket, wall mount
3	51-00830-20	2	Bracket, mounting, pillar
4	AK-00112-20	1	Accessory kit, SB800 spacer
5	1025658	1	Assembly, Kit, Locking Bar
6	93-00782-20	1	Cable, power, North America, right angle, 8' (2.4 m)
6	93-00783-20	1	Cable, power, United Kingdom, right angle, 8' 2" (2.5 m)
6	93-00784-20	1	Cable, power, Europe, right angle, 8' 2" (2.5 m)
6	93-00785-20	1	Cable, power, Australia, right angle, 8' 2" (2.5 m)
6	93-00786-20	1	Cable, power, Japan, right angle, 8' 2" (2.5 m)
6	93-00787-20	1	Cable, power, China, right angle, 8' 2" (2.5 m)
6	93-00788-20	1	Cable, power, Korea, right angle, 8' 2" (2.5 m)
7	20-01346-20	1	Assembly, accessory kit, HAWM-UX/UF, hardware