

S series S108

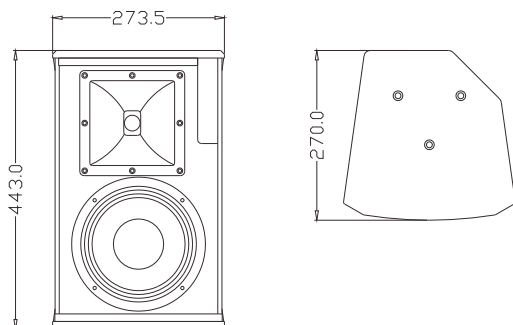
Two-way Loudspeaker System



The S108 is a 8", small sized, light weight, two way full range speaker with clear and soft sound. Unit configuration: 1x8" high efficiency mid-bass unit, 1x1" exit throat 25mm mylar diaphragm HF driver with 90°×50° rotatable horn. The cabinet is made of multilayer composite plywood with wear-resistant polyurea paint.

S108是一款8"两分音全频音箱，具有体积小、重量轻、音质清晰、柔和等特点。单元配置：1只8"高效率中低音单元，1只1"喉口25芯聚酯膜高音驱动器配上90°×50°可旋转号角。箱体采用多层复合夹板，耐磨聚脲喷涂。

CONFIGURATION



FEATURES

- Clear and soft sound
- Rotatable horn, multi-ways for installation
- Applications: conference rooms, multifunction halls, classrooms

产品特点

- 音质清晰、柔和
- 可旋转号角、多种安装方式

适用范围

- 会议室、多功能厅，教室



MODEL
FREQUENCY RESPONSE(-3dB)
FREQUENCY RESPONSE(-10dB)
DRIVERS

RATED POWER
SENSITIVITY
MAXIMUM SPL
IMPEDANCE
DISPERSION(-6dB)
CROSSOVER FREQUENCIES
INPUT CONNECTORS
PACKAGE SIZE
NET WEIGHT
GROSS WEIGHT

S108
 80 Hz-18kHz
 75Hz-20KHz
 1×8"(200mm)/2"voice coil LF
 1×1"(25mm)/1"voice coil HF
 150W RMS,600W peak
 93dB 1watt/1 metre
 115dB continuous,121 dB peak
 8 ohms nominal
 90°×50°
 2.8kHz passive
 Covered barrier strip terminals
 344mm×340mm×523mm
 10 kg/pc
 12 kg/pc