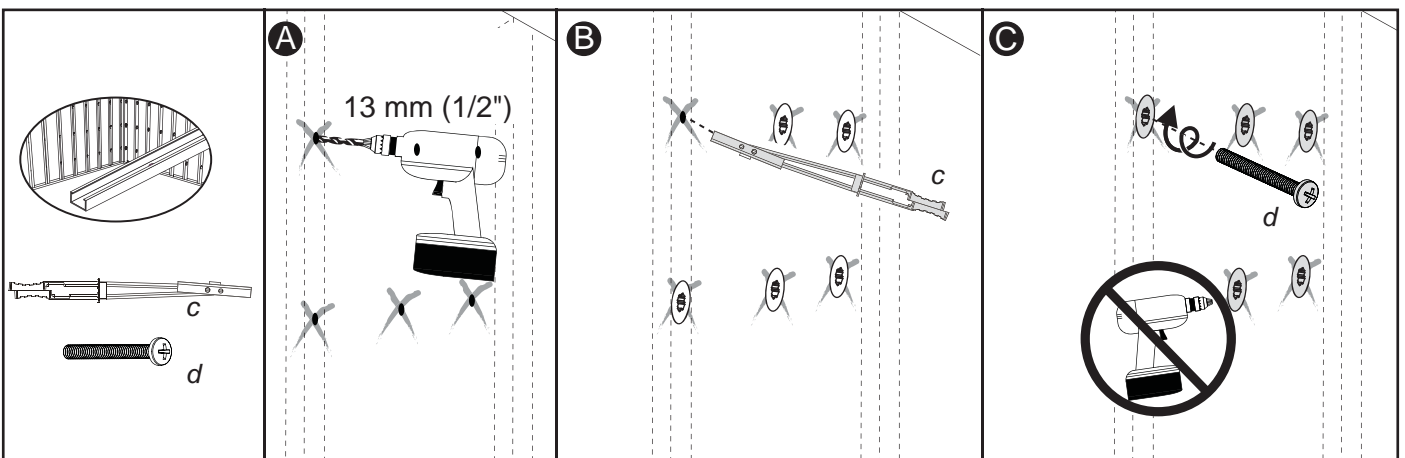
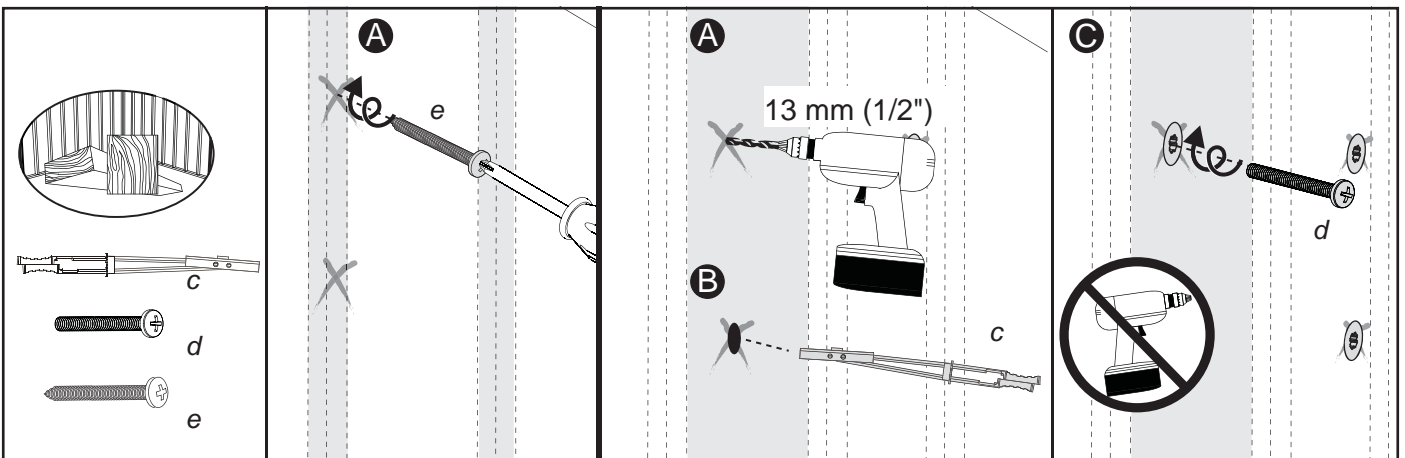
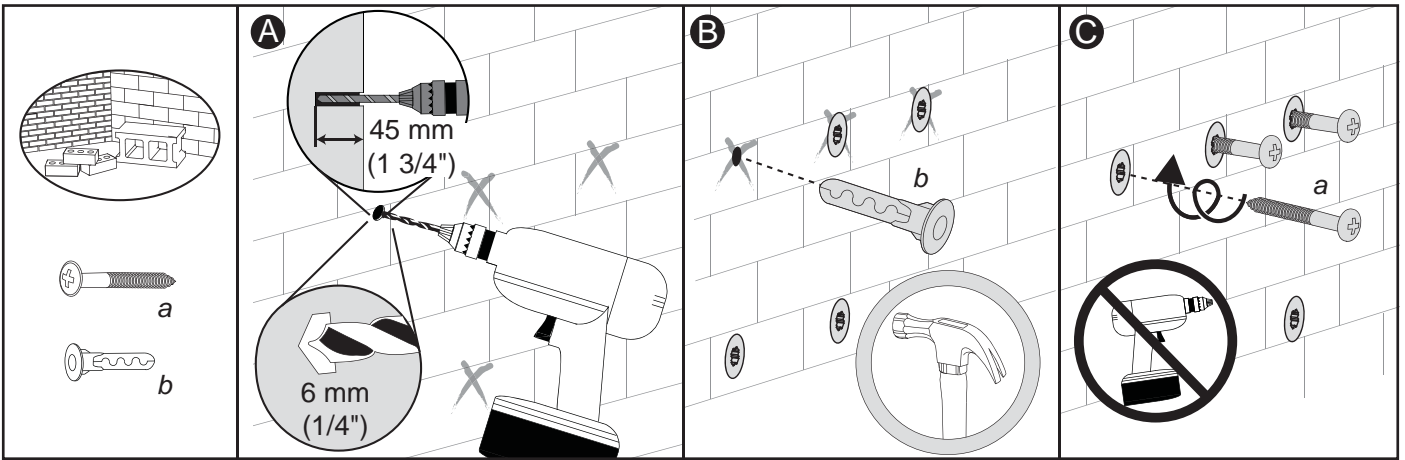
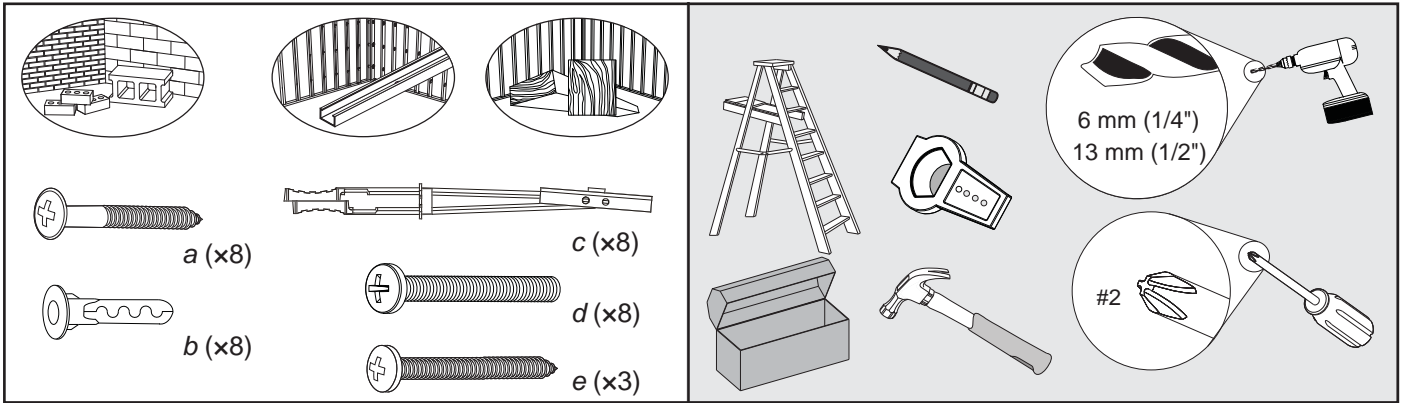
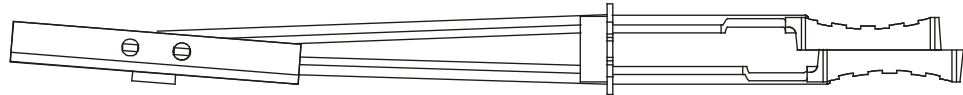


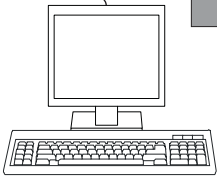
Projector mounting kit (P/N 1013576)





BA 3/16"-24 SNAPTOGGLE®

<http://www.toggler.com/products/snaptoggle/installation.php>



smarttech.com/support

Hardware environmental compliance

SMART Technologies supports global efforts to ensure that electronic equipment is manufactured, sold and disposed of in a safe and environmentally friendly manner.



Waste Electrical and Electronic Equipment and Battery regulations (WEEE and Battery Directives)

Electrical and electronic equipment and batteries contain substances that can be harmful to the environment and to human health.

The crossed-out wheeled bin symbol indicates that products should be disposed of in the appropriate recycling stream and not as regular waste.

See smarttech.com/compliance for more information.



smarttech.com/support
smarttech.com/contactsupport

SMART®

1016339 Rev B2

© 2011–2013 SMART Technologies ULC. All rights reserved. The SMART logo, smarttech and all SMART taglines are trademarks or registered trademarks of SMART Technologies ULC in the U.S. and/or other countries. All third-party products and company names may be trademarks of their respective owners. Contents are subject to change without notice. This product and/or use thereof covered by one or more of the following U.S. patents; smarttech.com/patents. Other patents pending. 12/2013.

smarttech.com/kb/160505