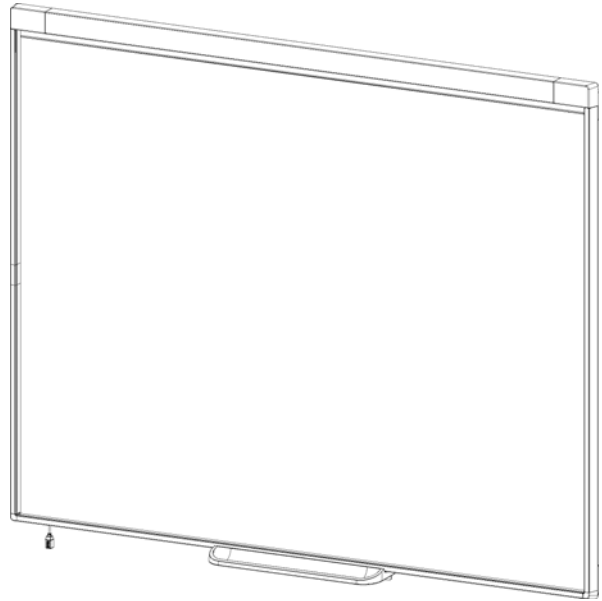


**SMART™**



***Service Parts  
Diagrams***

**For Model:  
SB480**

## Service Parts Diagrams Revision History

### Revision 1 - March, 2011

- New document

### Revision 2 - April, 2011

- Add FRU-NIB-SBX8

### Standard Warranty Terms

Base product: Two-year limited equipment warranty

First Customer Ship: February, 2011

---

**SMART Technologies**

3636 Research Road NW

Calgary, AB T2L 1Y1

CANADA

Support +1.403.228.5940 or Toll Free 1.866.518.6791 (Canada/U.S.)

Support Fax +1.403.806.1256

ServiceParts@smarttech.com [www.smarttech.com](http://www.smarttech.com)



# Service Parts Diagrams for the SB480

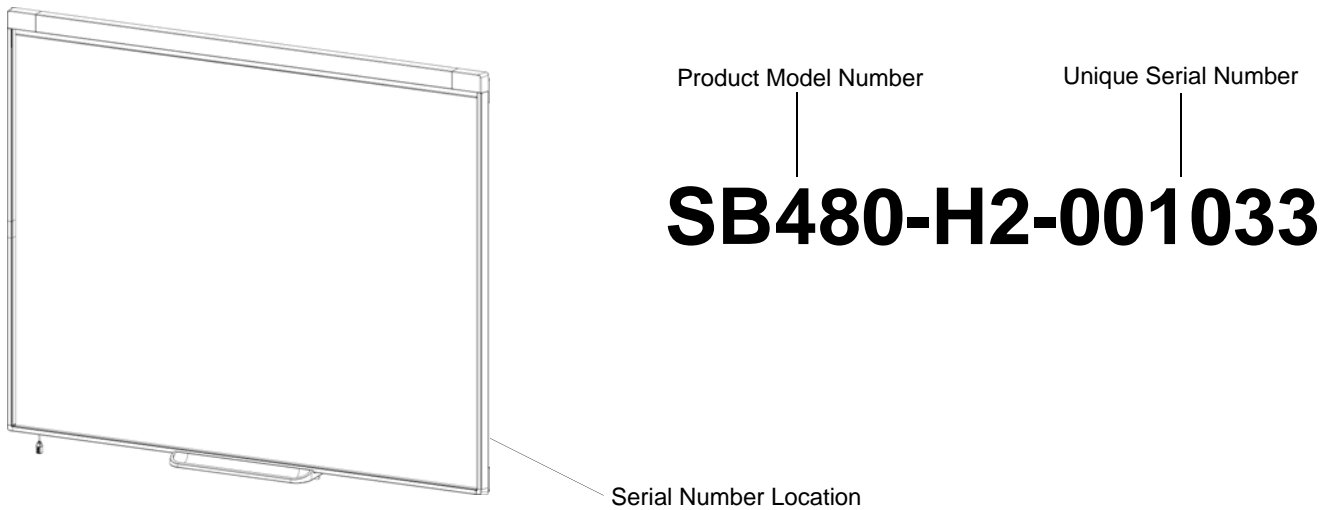
---

Identifying Your Product Using the Serial Number ..... 1  
Ordering Parts ..... 1  
SB480 Parts ..... 2



## Identifying Your Product Using the Serial Number

To make sure that you have the correct service parts diagrams, you must verify the serial number of your SMART Board interactive whiteboard. The serial number will be located on the side of the right hand bezel as shown below. An example of the serial number format is shown below.



## Ordering Parts

### Customers

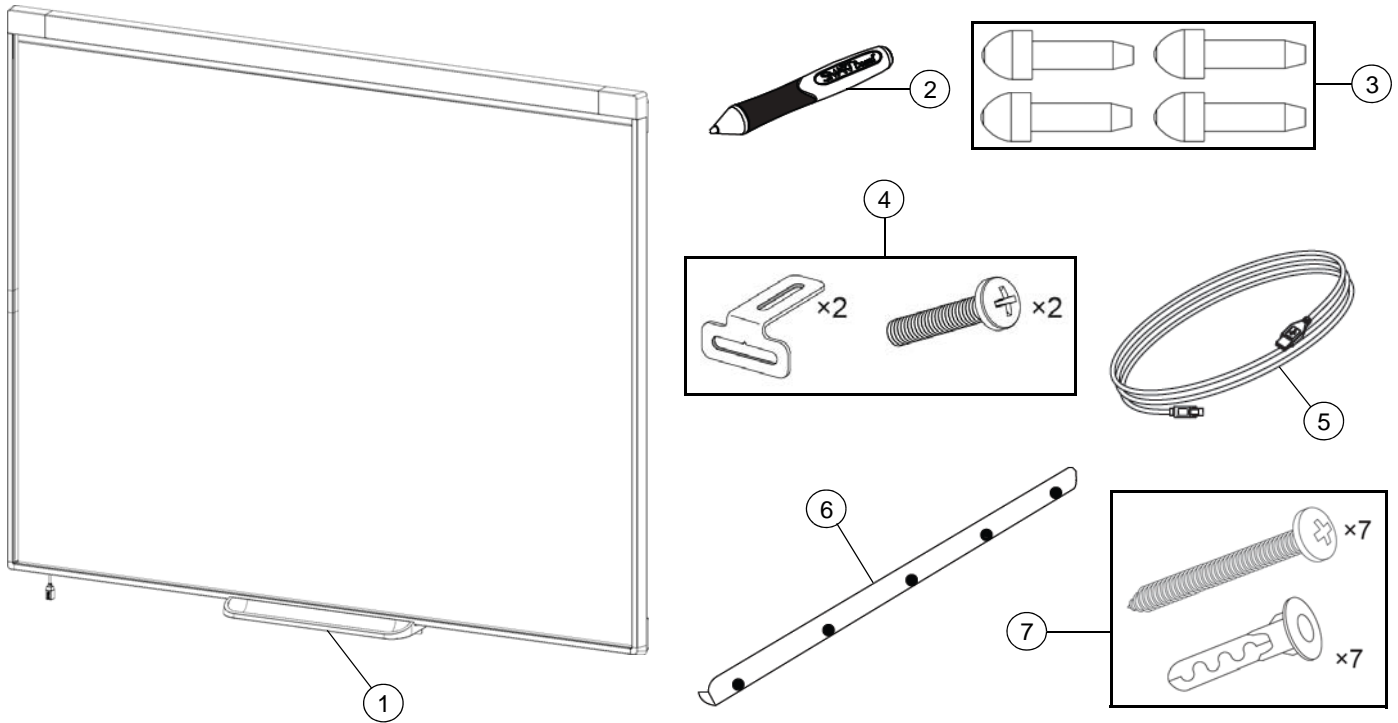
To order any of the parts in these service parts diagrams, contact your local reseller. To find a reseller near you, visit [www.smarttech.com/where](http://www.smarttech.com/where).

### Dealers and Distributors

For specific technical and pricing enquiries in regards to these diagrams please contact our service parts department. Pricing is also available on-line via the SOURCE website ([source.smarttech.com](http://source.smarttech.com)).

E-mail: [serviceparts@smarttech.com](mailto:serviceparts@smarttech.com)  
Phone: 1.888.42.SMART  
International: +1.403.245.0333

# SB480 Parts



Item	Part No.	Qty	Description
1	52-00793-20	1	Tray, Pen, SB480
2	20-01474-20	1	Pen, SB480
3	FRU-NIB-SBX8	1	Replacement Nibs for SBX8 and SB480 Pen - Set of Four <b>NOTE:</b> Optional and not included with the SB480.
4	20-01515-20	1	Assembly, hardware kit, wall mount, bottom, SB480
5	93-00837-20	1	Cable, USB, A-B, 10' (3.05 m)
6	52-00233-00	1	Bracket, wall mount, black, SB480
7	20-01485-20	1	Assembly, hardware kit, wall mount, SB480