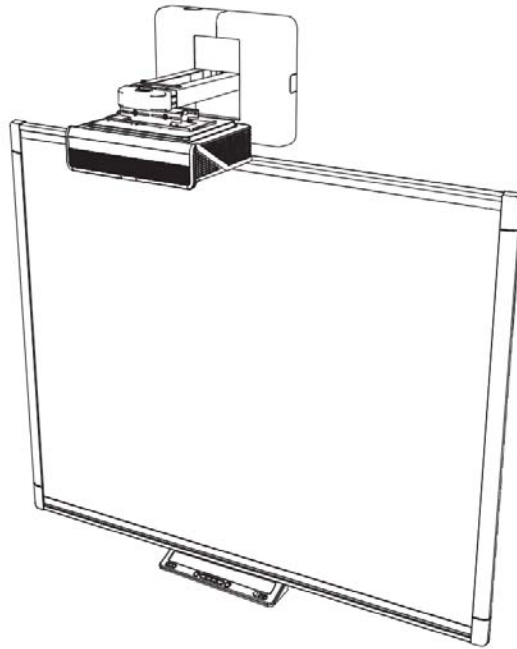


# SMART<sup>®</sup>



## *Service Parts Diagrams*

**For Model:  
SBM680ix3  
SBM685ix3**

# Service Parts Diagrams Revision History

## Revision 1 - May, 2015

- New document

## Standard Warranty Terms

Base Product: Your interactive whiteboard has a two-year limited equipment warranty. The projector has a three-year limited equipment warranty. The U100/U100w projector lamp has a 1000-hour/one-year warranty.

First Customer Ship: May, 2015

---

**SMART Technologies**

3636 Research Road NW

Calgary, AB T2L 1Y1

CANADA

Support +1.403.228.5940 or Toll Free 1.866.518.6791 (Canada/U.S.)

Support Fax +1.403.806.1256

[www.smarttech.com/contactserviceparts](http://www.smarttech.com/contactserviceparts) [www.smarttech.com](http://www.smarttech.com)



# Service Parts Diagrams for the SBM680ix3 and SBM685ix3

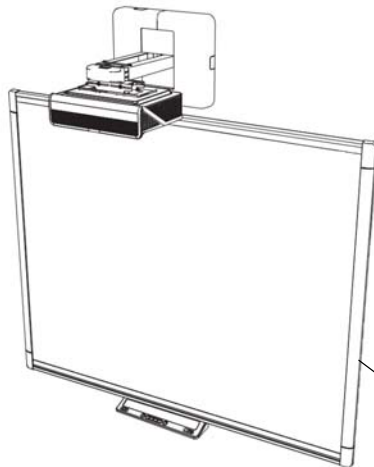
---

- Identifying Your Product Using the Serial Number ..... 1
- Ordering Parts ..... 1
- SBM680i Parts ..... 2
- SBM685i Parts ..... 3
- Optional Video Connector Kit Assembly for SB600/SBM600 Series  
(Part No. 20-01495-20) ..... 4
- Optional Board Mounting Hardware Kit (Part No. 1020342) ..... 5
- Optional Projector Mounting Hardware Kit Assembly (Part No. 1013576) ..... 8



## Identifying Your Product Using the Serial Number

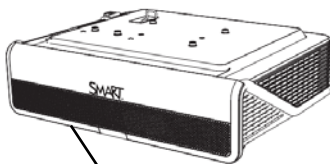
To make sure that you have the correct service parts diagrams, you must verify the serial number of your SBM680ix3 or SBM685ix3 interactive whiteboard. The SMART Board serial number will be located on the side of the right hand bezel. When mounted, the projector serial number will be visible on the bottom of the projector just below the projector lens. An example of the serial number format is shown below.



Unique Serial Number

**C002FW11A0103**

SMART Board Serial Number Location



Unique Serial Number

**B012HA27U0101**

Projector Serial Number Location

## Ordering Parts

### Customers

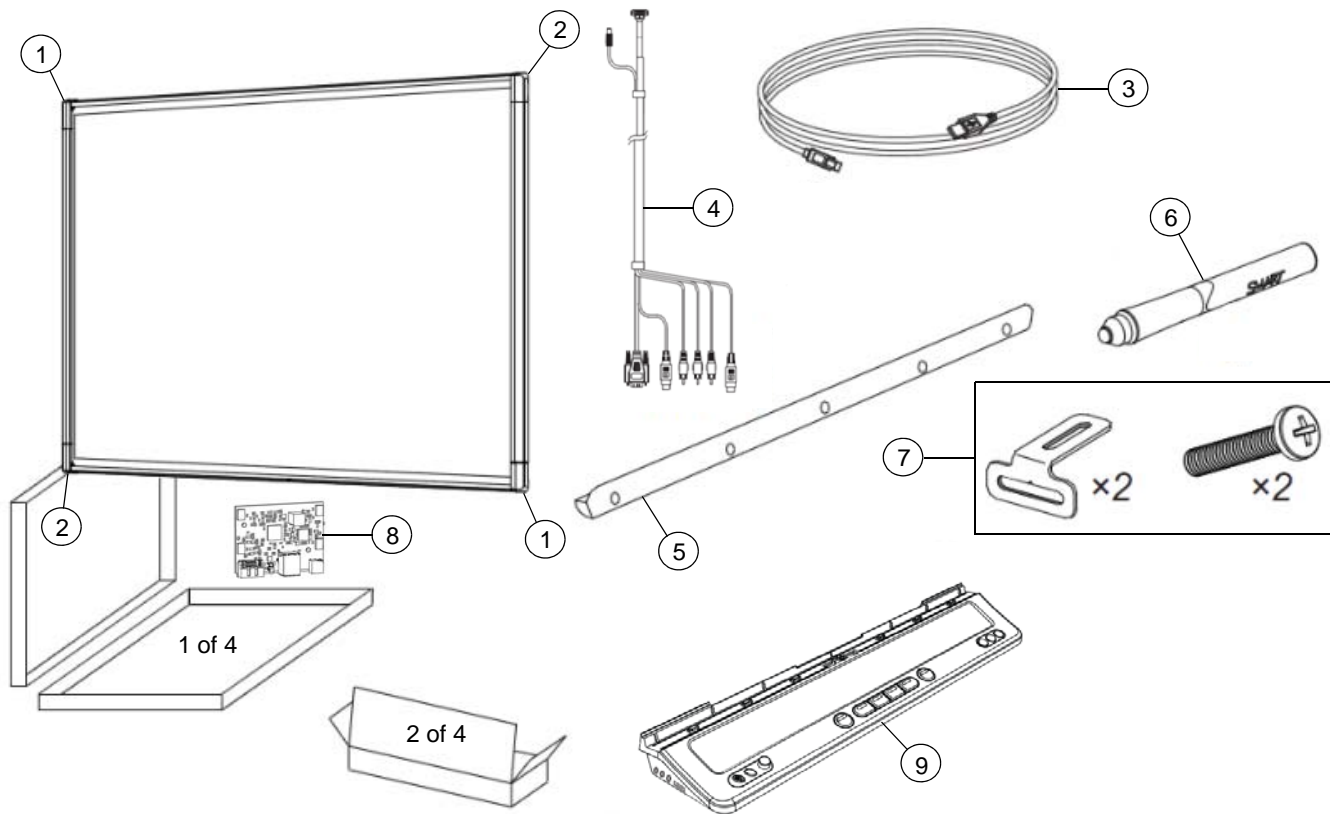
To order any of the parts in these service parts diagrams, contact your local reseller. To find a reseller near you, visit [www.smarttech.com/where](http://www.smarttech.com/where).

### Dealers and Distributors

For specific technical and pricing enquiries in regards to these diagrams please contact our service parts department. Pricing is also available on-line via the SOURCE website ([source.smarttech.com](http://source.smarttech.com)).

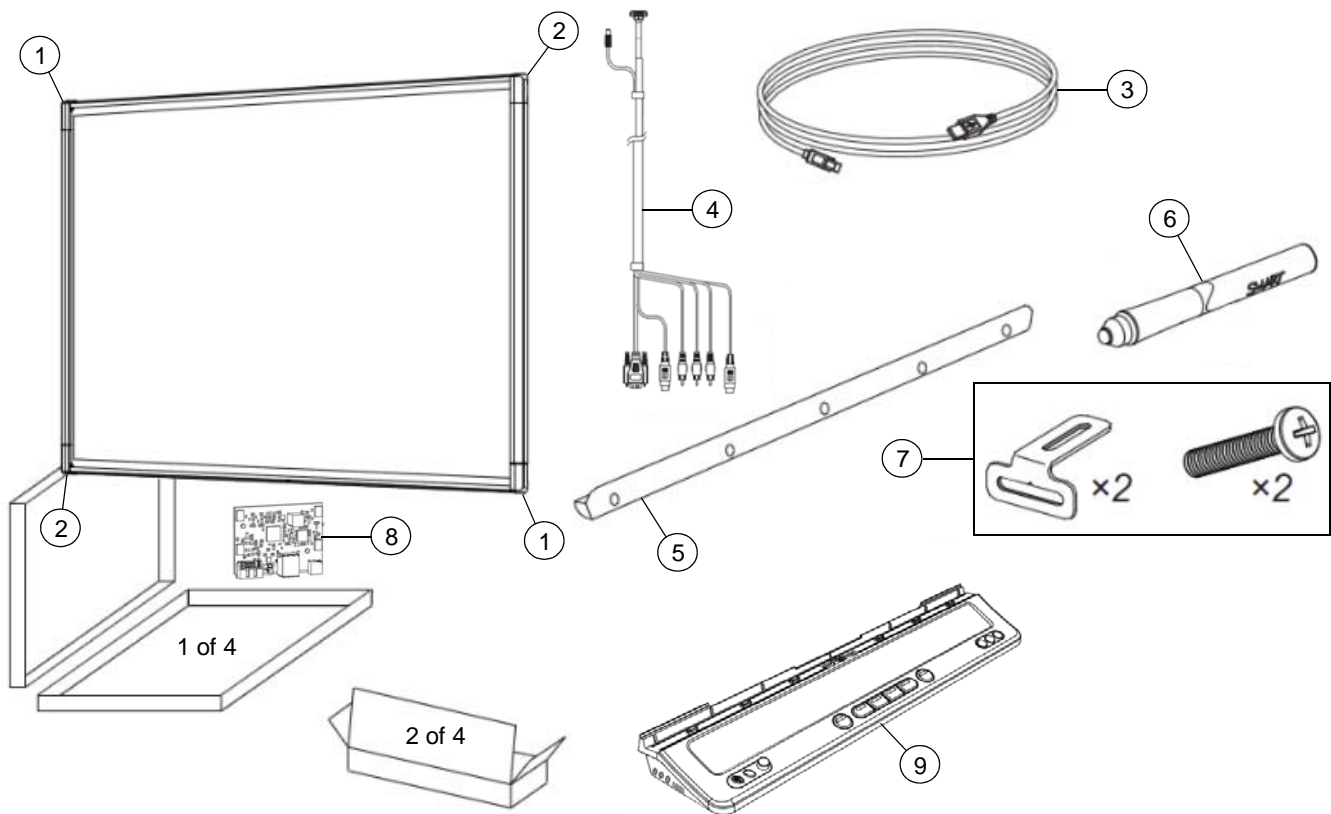
Web Form: [www.smarttech.com/contactserviceparts](http://www.smarttech.com/contactserviceparts)  
Phone: 1.888.42.SMART  
International: +1.403.245.0333

## SBM680i Parts



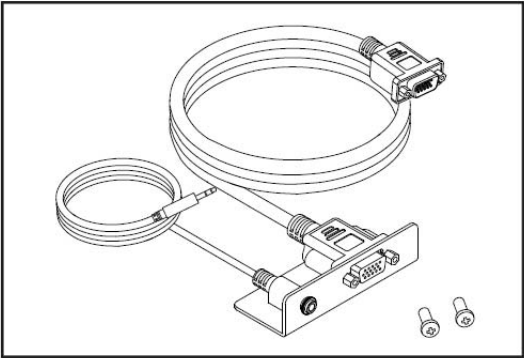
Item	Part No.	Qty	Description
1	FRU-CAM-SBM680-A	2	FRU, camera, SBM680, position 0 and 2
2	FRU-CAM-SBM680-B	2	FRU, camera, SBM680, position 1 and 3
3	93-00828-20	1	Cable, USB, A-B, 16' (5.0 m), SBX8
4	1019332	1	Cable, pen tray to projector, SBM6, 12' (3.65 m)
5	1009826	1	Bracket, wall mount, blue, SBX8/SBM6
6	RPEN-SBM6	1	Replacement Pens for SMART Board SBM600 Series - Set of Two
7	1020535	1	Assembly, SBM6 pen ledge / tray mounting hardware
8	FRU-DSP-SBM600	1	FRU, digital signal processor (controller), SBM600
9	FRU-PT-SBM600I	1	FRU, Pen Tray, SBM600i (with SMART projector controls)
Not shown	1019554	2	Cap, corner, top left / bottom right, front
Not shown	1019552	2	Cap, corner, top left / bottom right, back
Not shown	1019555	2	Cap, corner, top right / bottom left, front
Not shown	1019553	2	Cap, corner, top right / bottom left, back

## SBM685i Parts



Item	Part No.	Qty	Description
1	FRU-CAM-SBM685-A	2	FRU, camera, SBM685, position 0 and 2
2	FRU-CAM-SBM685-B	2	FRU, camera, SBM685, position 1 and 3
3	93-00828-20	1	Cable, USB, A-B, 16' (5.0 m), SBX8
4	1019332	1	Cable, pen tray to projector, SBM6, 12' (3.65 m).
5	1009826	2	Bracket, wall mount, blue, SBX8/SBM6
6	RPEN-SBM6	1	Replacement Pens for SMART Board SBM600 Series - Set of Two
7	1020535	1	Assembly, SBM6 pen ledge / tray mounting hardware
8	FRU-DSP-SBM600	1	FRU, digital signal processor (controller), SBM600
9	FRU-PT-SBM600I	1	FRU, Pen Tray, SBM600i (with SMART projector controls)
Not shown	1019554	2	Cap, corner, top left / bottom right, front
Not shown	1019552	2	Cap, corner, top left / bottom right, back
Not shown	1019555	2	Cap, corner, top right / bottom left, front
Not shown	1019553	2	Cap, corner, top right / bottom left, back

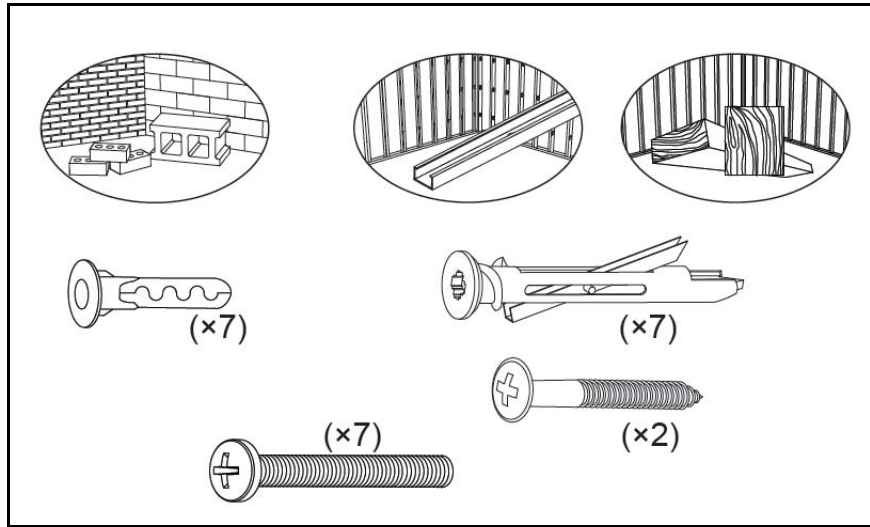
**Optional Video Connector Kit Assembly for SB600/SBM600 Series  
(Part No. 20-01495-20)**

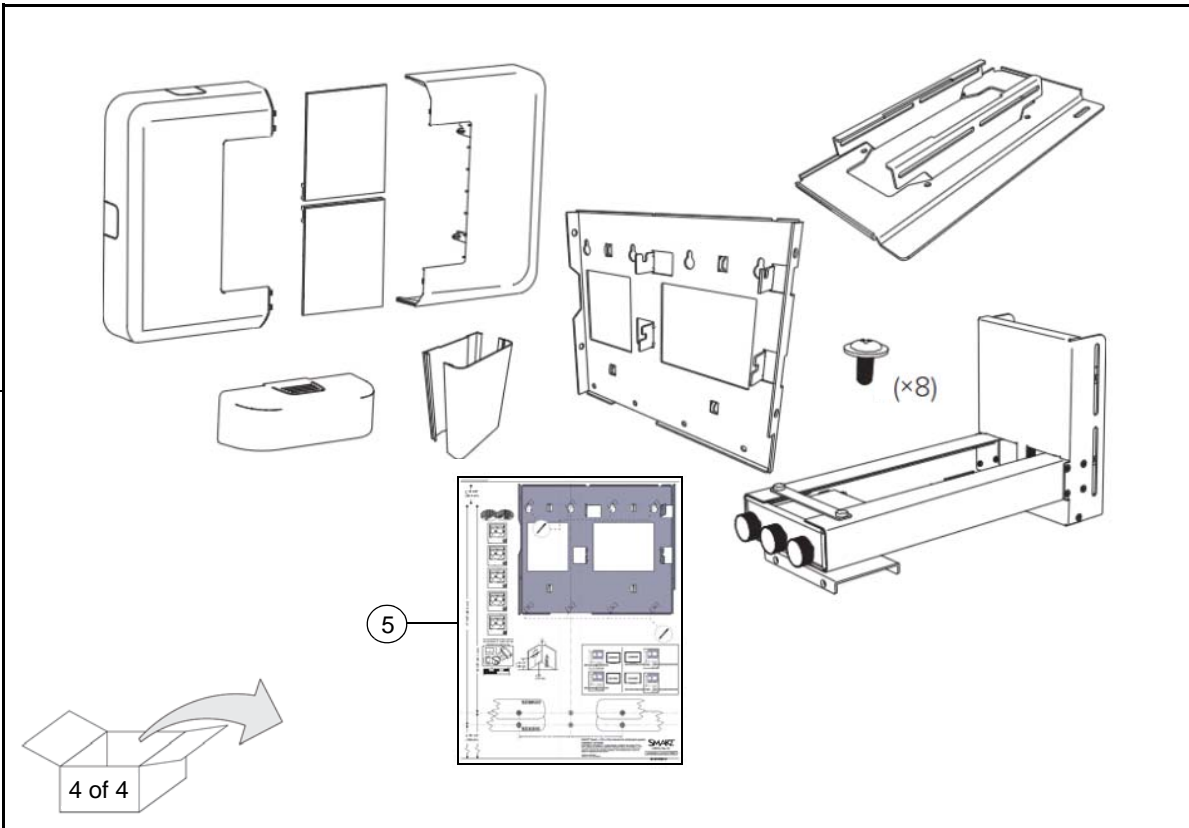
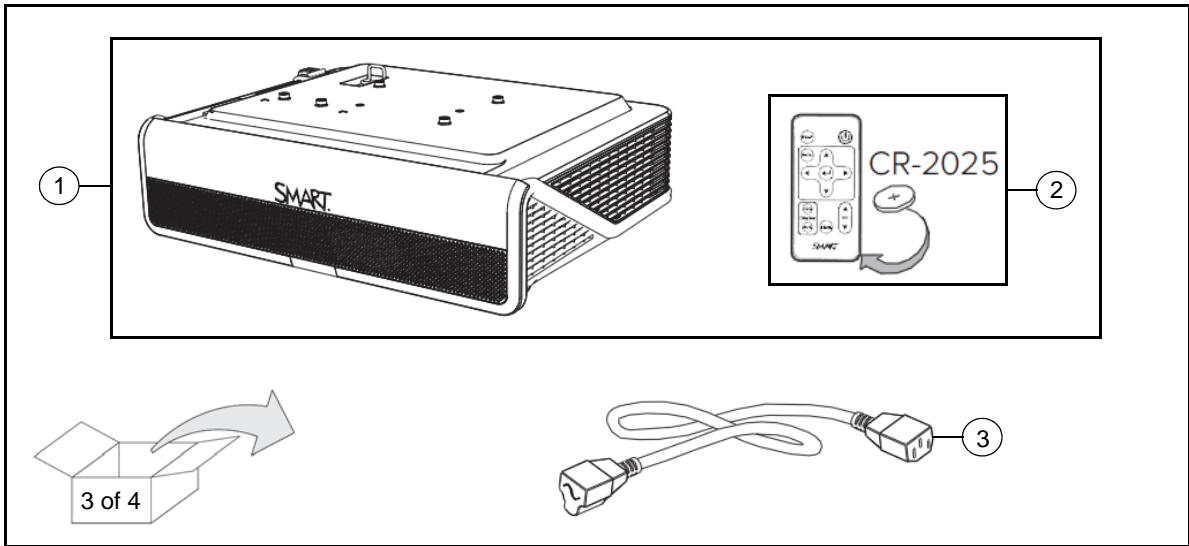




**Optional Board Mounting Hardware Kit (Part No. 1020342)**

**NOTE: SBM685ix3 requires two kits.**





Item	Part No.	Qty	Description
1	FRU-U100-PJR	1	FRU, U100 projector only <b>NOTE:</b> Includes projector and item 2.
1	FRU-U100w-PJR	1	FRU, U100w projector only <b>NOTE:</b> Includes projector and item 2.
2	03-00131-20	1	Remote control <b>NOTE: Battery not included with replacement remotes.</b>
3	93-00630-20	1	Cable, power, North America, 14' 9" (4.5 m)

3	93-00632-20	1	Cable, power, United Kingdom, 14' 9" (4.5 m)
3	93-00631-20	1	Cable, power, Europe, 14' 9" (4.5 m)
3	93-00629-20	1	Cable, power, Australia, 14' 9" (4.5 m)
3	93-00634-20	1	Cable, power, Japan, 14' 9" (4.5 m)
3	93-00633-20	1	Cable, power, China, 14' 9" (4.5 m)
3	1018970	1	Cable, power, India, 14' 9" (4.5 m)
3	1018971	1	Cable, power, Saudi Arabia, 14' 9" (4.5 m)
3	1018972	1	Cable, power, Brazil, 14' 9" (4.5 m)
3	1025603	1	Cable, power, Chile and Italy, 14' 9" (4.5 m)
4	1026830	1	Assembly, mounting system, U100-U100w projection system
5		1	Mounting Template, Projector, U100-U100w, SB8 and SBM6 Boards <b>NOTE:</b> Can be downloaded via the following link: <a href="http://www.smarttech.com/kb/170887">www.smarttech.com/kb/170887</a>
Not shown	1026952	1	Replacement Lamp for U100 and U100w Projectors

**Optional Projector Mounting Hardware Kit Assembly (Part No. 1013576)**

