

SMART Board® MX series with iQ

SBID-MX255-V3
 SBID-MX265-V3
 SBID-MX275-V3
 SBID-MX286-V3



DISPLAY

| | |
|-----------------------------------|--|
| Screen sizes (diagonal) | 55", 65", 75", 86" |
| Backlight | LED |
| Aspect ratio | 16:9 |
| Maximum display resolution | 4K UHD (3840 × 2160) |
| Refresh rate | 60 Hz |
| Lifespan | ≥ 50,000 hours |
| Brightness (maximum) | 55": ≥ 300 cd/m ² 65", 75", 86": ≥ 400 cd/m ² |
| Response time | 8 ms |
| Viewing angle | 178° |
| Glass | Fully heat-tempered, anti-glare, zero-bonded |
| Glass thickness | 3 mm |
| Frame color | White |
| Convenience buttons | Power, home, volume, input select, screen shade, freeze frame |
| Sensors | Ambient light, infrared |
| Audio | 2 integrated 15 W speakers |

INTERACTIVE EXPERIENCE

| | |
|--------------------------------|---|
| Touch technology | HyPr Touch™ with Advanced IR |
| Touch features | Simultaneous Tool Differentiation™ Object Awareness™ Silktouch™ |
| Frame rate | 100 frames/s maximum |
| Accuracy | Average 1.5 mm or better |
| Minimum object size | 3 mm |
| Multitouch capabilities | 20 – Windows® and Mac 10 – Chrome OS™ |
| Tools included | Pens (×2) |
| Tool holders | Magnetic, frame-mounted |

SOFTWARE

| | |
|---|--|
| iQ built-in Android™ experience | Included |
| SMART Ink® and SMART Product Drivers | Included |
| SMART Remote Management | Subscription for length of the included warranty |

smarttech.com
 smarttech.com/contact

© 2021 SMART Technologies ULC. All rights reserved. SMART Board, SMART Notebook, SMART Ink, HyPr Touch, Simultaneous Tool Differentiation, Object Awareness, Silktouch, smarttech, the SMART logo and all SMART taglines are trademarks or registered trademarks of SMART Technologies ULC in the U.S. and/or other countries. The Adopted Trademarks HDMI, HDMI High-Definition Multimedia Interface, and the HDMI Logo are trademarks or registered trademarks of HDMI Licensing Administrator, Inc. in the United States and other countries. All other third-party product and company names may be trademarks of their respective owners. This product and/or use thereof is covered by one or more of the following U.S. patents: www.smarttech.com/patents. Models and specifications may vary by region. Please contact your local representative for details. Contents are subject to change without notice. October 12, 2021.

iQ BUILT-IN ANDROID EXPERIENCE

| | |
|--|--|
| Operating system | Android version 9 |
| Memory | 6 GB DDR |
| Storage | 32 GB |
| Digital whiteboard | ✓ |
| Web browser | ✓ |
| Screen sharing | ✓ |
| Other features | SMART Whiteboard Live input preview File and app libraries Google Drive™ and OneDrive™ access |
| Object Awareness supported | ✓ |
| Ability to run third-party applications | ✓ |
| Cloud storage access | ✓ |
| Languages supported | Chinese (simplified), Chinese (traditional), Czech, Danish, Dutch, English, Estonian, Finnish, French, German, Greek, Hungarian, Italian, Japanese, Korean, Latvian, Lithuanian, Norwegian, Polish, Portuguese, Romanian, Russian, Slovak, Slovenian, Spanish, Swedish, Ukrainian, Vietnamese, Welsh |
| Updates | Automatic over-the-air (OTA) |

PC COMPUTING

| | |
|--------------------------------------|---|
| OPS support | ✓ |
| OPS-C support | ✓ |
| PC module power supported OPS | 60 W |
| Optional computing modules | SMART OPS PC with Windows 10 Pro SMART Chromebox |

INPUTS

| | Front | Back |
|---|-------|------|
| OPS PC accessory slot (60 W devices) | – | 1 |
| HDMI® 2.0 with HDCP 1.4 and HDCP 2.2 support | 1 | 2 |
| VGA video | – | 1 |
| Stereo 3.5 mm | – | 1 |
| RS-232 room control (DB-9 connector) | – | 1 |
| RJ45 Ethernet (passthrough) | – | 2 |
| USB Type-C 4K @ 60Hz Display Port alternate mode, touch, and digital audio; 15 W power delivery | 1 | – |
| USB Type-C 4K @ 60Hz Display Port alternate mode, touch, and digital audio; 65 W power delivery | – | 1 |
| USB 2.0 Type-A | – | 1 |
| USB 3.0 Type-A | 2 | 1 |
| USB 3.0 Type-B | 1 | 3 |

OUTPUTS

| | Front | Back |
|--------------------------------------|-------|------|
| HDMI 2.0 with HDCP 2.2 support | – | 1 |
| Stereo 3.5 mm (variable) | – | 1 |
| Audio S/PDIF (fixed) | – | 1 |
| RS-232 room control (DB-9 connector) | – | 1 |

INCLUDED CABLES AND ACCESSORIES

| | Qty |
|---|-----|
| Country-specific power cable | 1 |
| 16' 5" (5 m) USB cable | 1 |
| Pens | 2 |
| External dual-band 2.4 and 5 GHz antennae | 3 |
| Remote control | 1 |
| AAA batteries | 2 |
| Wall mount bracket kit | 1 |
| Illustrated installation instructions | 1 |
| Important information document | 1 |

CONNECTIVITY

| | |
|------------------|--|
| Wired | RJ45 (×2) 1000baseT |
| Wi-Fi | IEEE 802.11 a/b/g/n/ac with 2 × 2 MIMO (both 2.4 and 5 GHz bands) supporting WEP, WPA, WPA2 PSK, and 802.1X EAP authentication protocols |
| Bluetooth | 5.0 dual mode |

STORAGE AND OPERATING REQUIREMENTS

| | |
|------------------------------|---|
| Power requirements | 100V to 240V AC, 50 Hz to 60 Hz |
| Operating temperature | 41–95°F (5–35°C) |
| Storage temperature | -4–140°F (-20–60°C) |
| Humidity | 5–80% relative humidity, non-condensing |

POWER CONSUMPTION

| | |
|----------------|-------------|
| Typical | 55": 90 W |
| | 65": 120 W |
| | 75": TBD |
| | 86": 149 W |
| Sleep | 55": 1.2 W |
| | 65": 1.2 W |
| | 75": TBD |
| | 86": 1.4 W |
| Standby | 55": 0.18 W |
| | 65": 0.18 W |
| | 75": TBD |
| | 86": 1.4 W |

CERTIFICATION AND COMPLIANCE*

| | |
|--------------------------------|--|
| US / Canada | UL, FCC, ISED, TSCA, CONEG Packaging, Proposition 65 |
| EU / EEA / EFTA / UK | CE, UKCA, LVD, CB, EMC, RED, REACH, RoHS, Battery, WEEE, Packaging, POP, Ecodesign |
| Australia / New Zealand | RCM |
| Performance standards | ENERGY STAR®, HDMI |

PURCHASING INFORMATION

| | |
|------------------------------------|--|
| Order number: SBID-MX255-V3 | SMART Board MX055-V3 interactive display with iQ and SMART Learning Suite |
| Order number: SBID-MX265-V3 | SMART Board MX065-V3 interactive display with iQ and SMART Learning Suite |
| Order number: SBID-MX275-V3 | SMART Board MX075-V3 interactive display with iQ and SMART Learning Suite |
| Order number: SBID-MX286-V3 | SMART Board MX086-V3 interactive display with iQ and SMART Learning Suite |
| Optional accessories | See smarttech.com/accessories |

WARRANTY

| | |
|------------------------------|---|
| SMART Assure warranty | Includes advanced hardware replacement and access to onsite support. Terms and conditions vary by region. Contact your local reseller or distributor for information and visit smarttech.com/warranty . |
|------------------------------|---|

CABLE REQUIREMENTS

| | |
|-------------------------|---|
| HDMI | Certified premium high speed HDMI (18 Gbps) Maximum length: 23' (7 m) |
| USB 2.0 | USB 2.0 certified Hi-Speed (480 Mbps) support Maximum length: 16' (5 m) |
| USB 3.0 | USB 3.0 certified SuperSpeed (5 Gbps) support Maximum length: 9' (3 m) |
| More information | See smarttech.com/kb/171555 |

*Product availability may vary by region.

This product has received additional certifications not listed here.

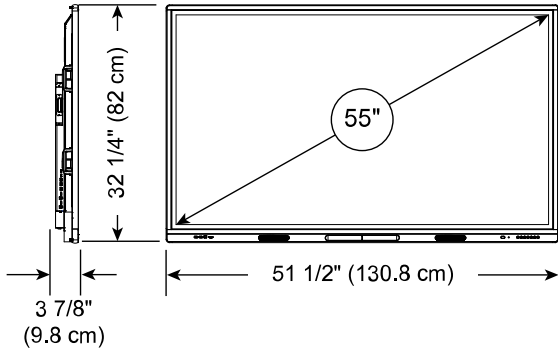
INSTALLATION, DIMENSIONS, AND WEIGHTS

NOTES

- All dimensions $\pm 1/8$ " (0.3 cm). All weights ± 2 lb. (0.9 kg).
- Product ships upright.

SBID-MX255-V3

Dimensions



Weight

77 lb. (34.7 kg)

Shipping dimensions (including pallet)

56.9" \times 40.9" \times 10.2"
(144.5 cm \times 104 cm \times 26 cm)

Shipping weight (including pallet)

116 lb. (53.4 kg)

VESA mount

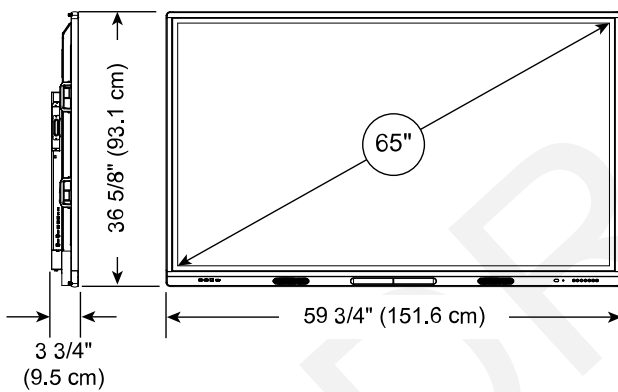
M8, 400 \times 400 mm

Handles

2

SBID-MX265-V3

Dimensions



Weight

88 lb. (39.7 kg)

Shipping dimensions (including pallet)

65.2" \times 45.6" \times 8.1"
(165.5 cm \times 116 cm \times 20.5 cm)

Shipping weight

122.7 lb. (55.7 kg)

VESA mount

M8, 600 \times 400 mm

Handles

2

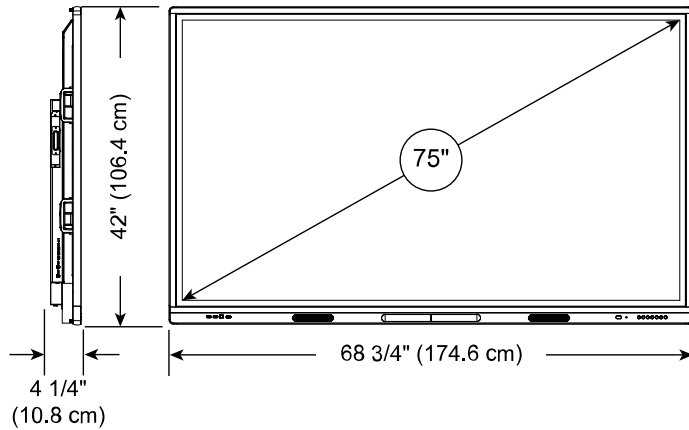
INSTALLATION, DIMENSIONS, AND WEIGHTS (CONTINUED)

NOTES

- All dimensions $\pm 1/8$ " (0.3 cm). All weights ± 2 lb. (0.9 kg).
- Product ships upright.

SBID-MX275-V3

Dimensions



Weight

118 lb. (53.7 kg)

Shipping dimensions (including pallet)

74.2" \times 50.2" \times 8.1"
(188.5 cm \times 127.4 cm \times 20.5 cm)

Shipping weight

169 lb. (76.7 kg)

VESA mount

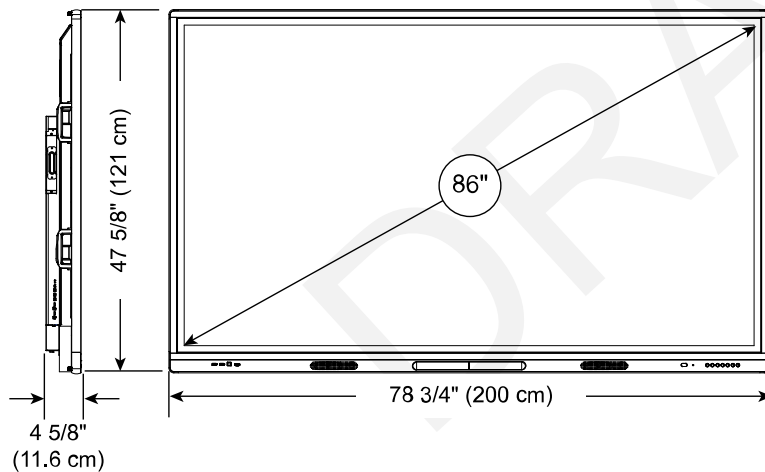
M8, 600 \times 400 mm

Handles

2

SBID-MX286-V3

Dimensions



Weight

155 lb. (70.1 kg)

Shipping dimensions (including pallet)

86" \times 47.6" \times 8"
(218.5 cm \times 142.4 cm \times 20.5 cm)

Shipping weight

210.5 lb. (95.5 kg)

VESA mount

M8, 700 \times 400 mm

Handles

2